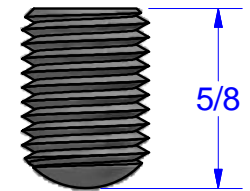
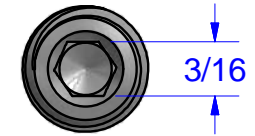
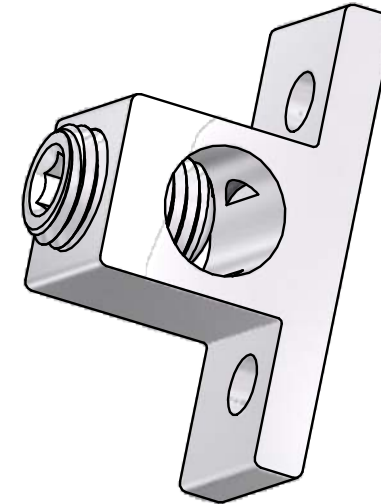
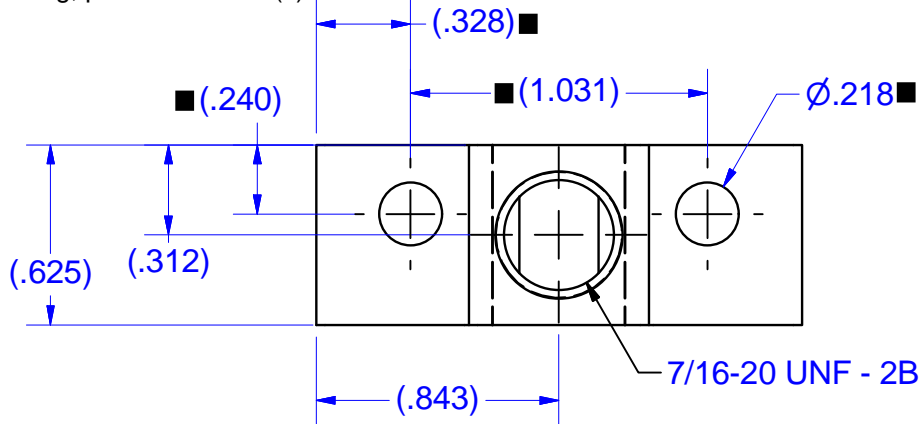


REVISION HISTORY			
REV	DESCRIPTION	DATE	APPROVED
1	Change Marking to match S2/0	12/19/2013	TDS

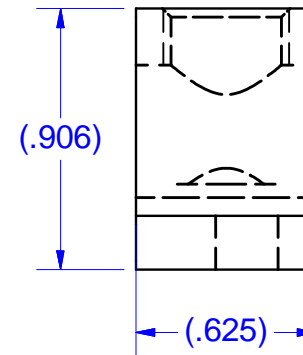
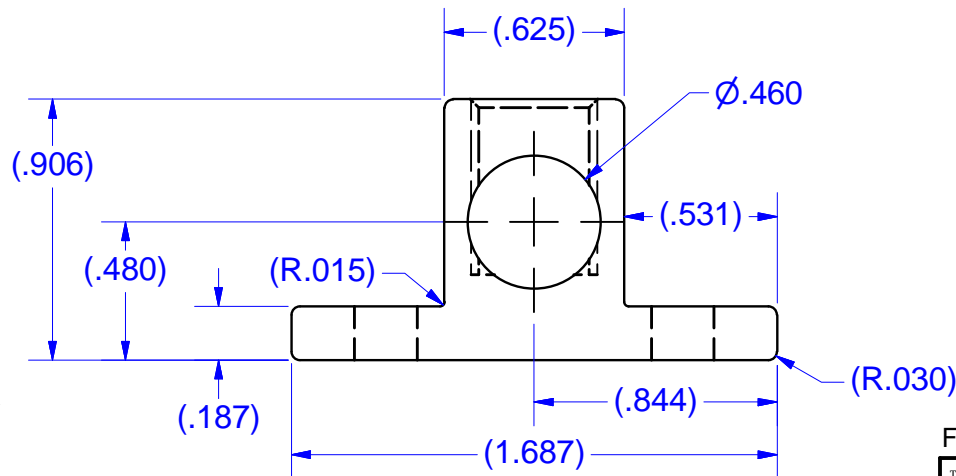
Cat. No. S2/0 Style No. ALL

■ Drill, Enlarge, or Modify Mounting Holes

- 1) Increase hole(s) dia. to 1/2 bolt (17/32 drill dia.)
- 2) Move location of mounting hole(s)
- 3) If buying blank lug, put custom hole(s) in.



SCREW#11703  
(ALUMINUM, TIN PLATED)



**PART MARKED**  
 S2/0  
 CU9AL  
 2/0-14  
 IHI LOGO  
 UL AND CSA LOGO

NOT FOR USE WHERE FAILURE CREATES A HAZARD TO HUMAN HEALTH OR SAFETY. ALL PRODUCTS ARE SUBJECT TO THIS FULL DISCLAIMER: <http://www.ihconnectors.com/disclaimer.html>

FOR FURTHER INFORMATION ON THE PROPER USE OF THIS PRODUCT IN SPECIFIC APPLICATIONS SEE <http://www.ihconnectors.com/GuideToFlexFlexibleFineStrandedWireCableMechanicalLugsFAQ.html>  
<http://www.ihconnectors.com/Technical-Data-Installation.htm>

FLEX WIRE 1/0-14 AWG

REF.4933

THIS DRAWING AND DESIGN ARE THE PROPERTY OF INTERNATIONAL HYDRAULICS, INC., CLEVELAND, OHIO, AND MAY NOT BE DUPLICATED, USED FOR THE BASIS OF DESIGN OR MANUFACTURE WITHOUT THE WRITTEN PERMISSION OF INTERNATIONAL HYDRAULICS, INC., CLEVELAND, OHIO.		INTERNATIONAL HYDRAULICS, INC.	
GENERAL TOLERANCES - .015 (-0.038)		TITLE: <b>T2/0-1.03 CONNECTOR</b>	
MATERIAL: <b>6061-T6 (13699)</b>	SIZE:	DRAWN BY: <b>TDS</b>	DWG NO.: <b>T2-0 (SALES)</b>
FINISH: <b>TIN PLATE EMS</b>	DATE: <b>12/12/08</b>	REV: <b>1</b>	THIS IS A CAD DRAWING, DO NOT MANUALLY REVISE